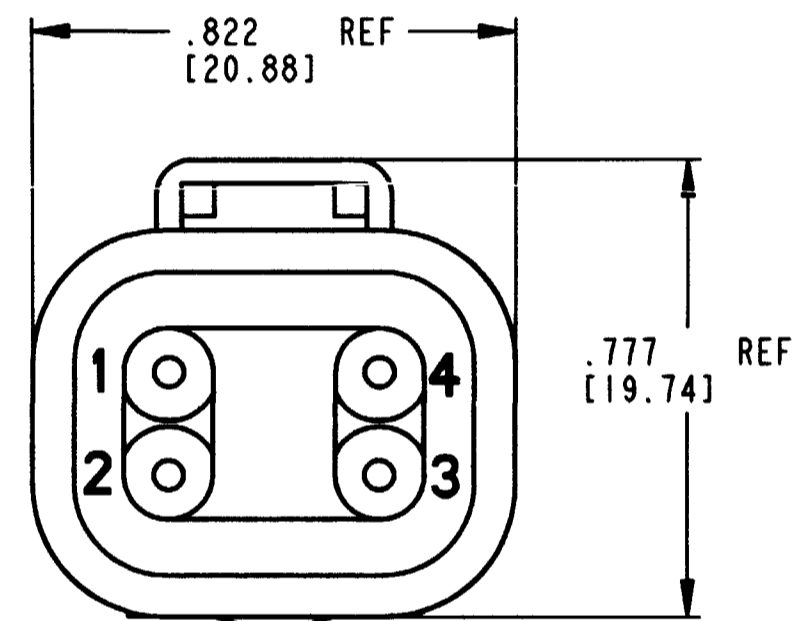
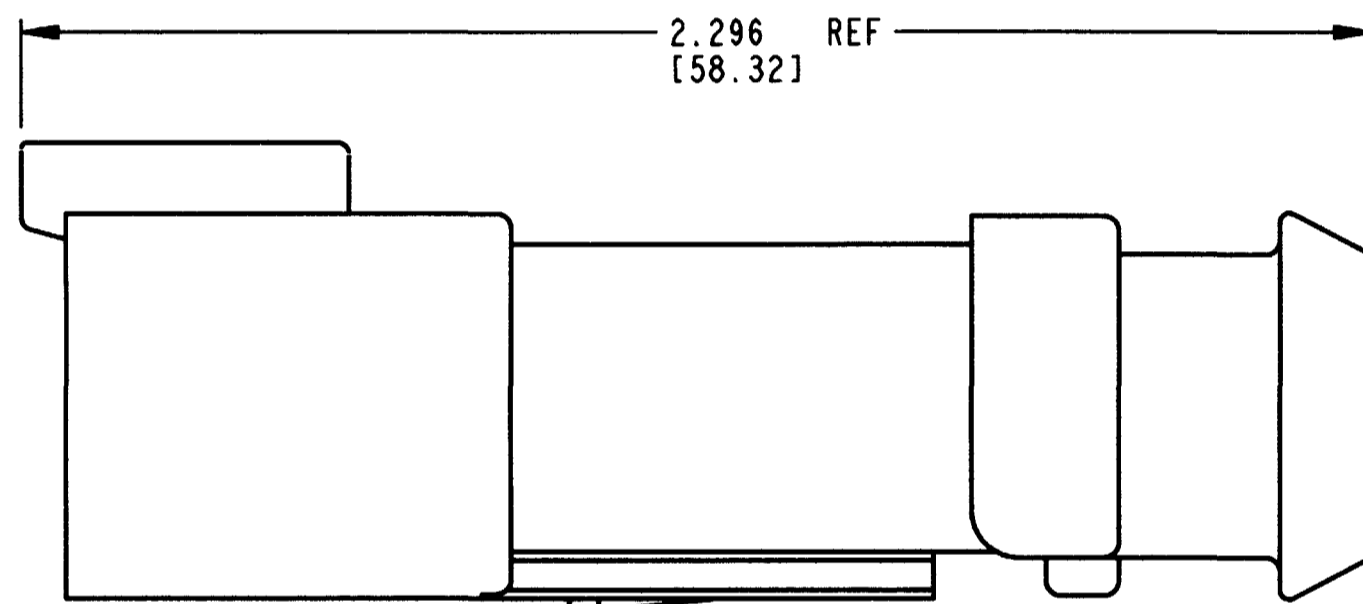


REV  
NC DT04-4P-E008

REVISIONS			
SYM	DESCRIPTION	DATE	APPROVED
NC	NEW RELEASE PER E.O. A14881	8-18-95	ADR



NOTES:  
1. ALL DIMENSIONS ARE FOR REFERENCE ONLY.  
2. ALL DIMENSIONS ARE INCHES (METRIC).

SIGNATURE & DATE	
DR	C. WOODRUFF 04AUG95
CHK	
PE	<i>[Signature]</i>
APPD	<i>[Signature]</i> 8-18-95
SCALE	NONE WT

4 WAY RECEPTACLE  
-E008 MOD.  
DT SERIES

ENVELOPE

CP	MATL. CODE
<b>The Deutch Company</b> DEUTSCH I.P.D. 37140 INDUSTRIAL AVE. HEMET, CALIF. 92545	
<b>B DT04-4P-E008</b>	
DWG SIZE	CODE 11139 SHEET   OF